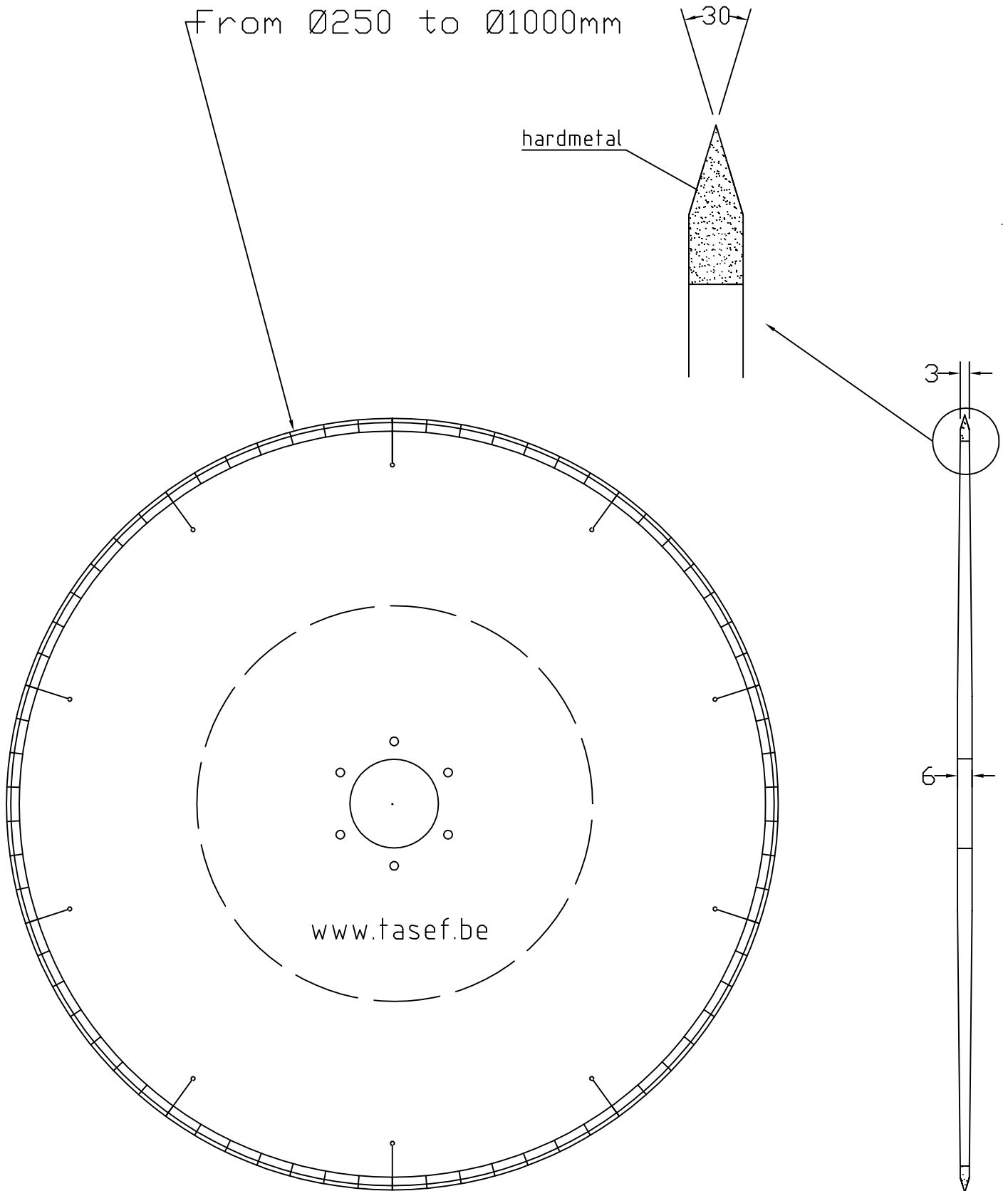


From Ø250 to Ø1000mm

30

hardmetal



4

Itemref	Quantity	Title/Name, designation, material, dimension etc			Article No./Reference	
Designed by TASEF	Checked by Erik L.	Approved by - date	File name	Date	Scale	
1A			TASEF			
Copyright TASEF. All rights reserved. Disclosure to third parties or reproduction in whole or in part of this document is strictly forbidden without permission of the publisher, TASEF N.V.						